

# Configured Valve Trains

Model VT02 (1/2" NPT)  
Version 1

The Eclipse configured valve trains use a variety of shut-off valves, regulators, and associated components. These valve trains are rated for 110-120V / 50-60 Hz operation and are designed to meet the requirements of NFPA 86 - 2007 or XL Gaps (previously IRI IM.4.2.0). The XL Gaps version includes either a vent valve or a valve proving system. Standard components of all valve train sizes includes safety shut-valves, manual shut-off valves, high and low pressure switches, visual position indicators and pressure taps for valve seat leak tests and in-line strainers. Optional components consist of regulator, valve leak test systems, upstream and downstream gauges (2-1/2" face diameter) and pilot gas trains (1/2" or 3/8").

A standard configured valve train ordered with or without an agency designation does not guarantee compliance or non-compliance with the standard. The end-use application for the valve train determines any additional requirements to meet full compliance to the standards such as:

- Some components may require vent lines to a safe outside location.
- The customer gas supply shall have an isolation valve followed by a vertical drip leg of 3 pipe diameters but not less than 3".
- External control devices may be used to meet the requirements of a standard. In this case, the valve train may need to be ordered with option X for NONE under Agency Approval to allow the most versatility in selection of component options.

Component <sup>3</sup>	Enclosure Rating (NEMA)	Maximum Operating Pressure PSI	Temperature Limits °F	Agency					Comments
				U L L	U L R	C S A	F M	C E	
ASCO 8214 Valves	1	5	-40 to 125	•		•	•		Aluminum Body
Dungs Dual Block Valve	1 & 12	7	-40 to 150		•	•	•	•	Aluminum Body
Siemens VGG w/ SKP Actuators	1, 2, 5, & 12	20	15 to 140	•		•	•		Aluminum Body
Manual Shut-Off Valve	N/A	600	-40 to 366	•		•	•		Brass w/ Teflon Seals
Pressure Switches <sup>1</sup>	1, 4, & 12	7	-40 to 140	•		•	•		Auto or Manual Reset
Vent Valve (3/4")	1, 2, 3, 3S, 4, & 4X	5	-40 to 125	•		•			Aluminum Body
Valve Proving System (VDK)	12	5	15 to 140			•	•	•	Aluminum Housing
Valve Proving System (VPS)	12	7	5 to 140			•		•	Aluminum Housing
Pressure Regulator (Sensus) <sup>2</sup>	N/A	15, 125, 150	-20 to 150						Cast Iron Body
Pressure Regulator (FRI)	N/A	7	5 to 160		•	•	•		Aluminum Housing

<sup>1</sup> Switches for 40" to 200" w.c. are rated for 14 psi max. and -22°F to 140°F.

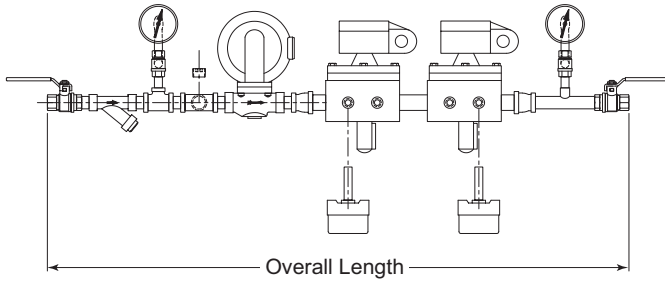
<sup>2</sup> Operating pressure depends on model selected.

<sup>3</sup> Refer to manufacturer's datasheet for component details.

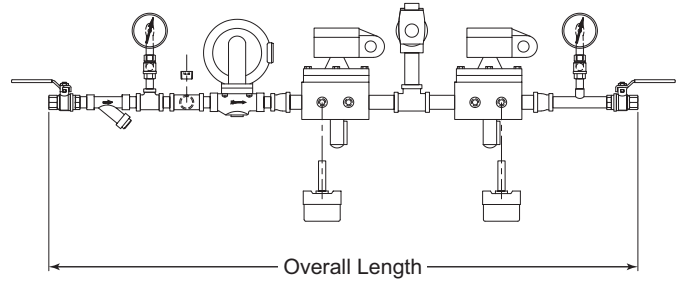
## Dimensions & Specifications

### ASCO Safety Shut Off Valves

NFPA

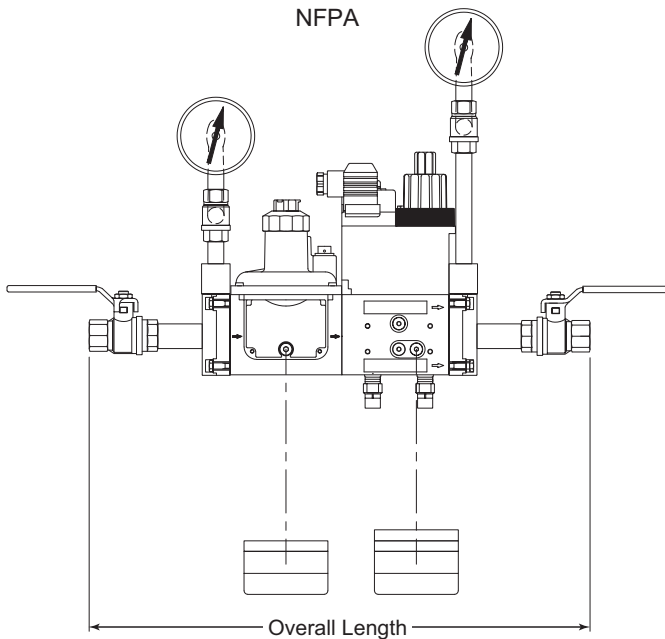


XL Gaps

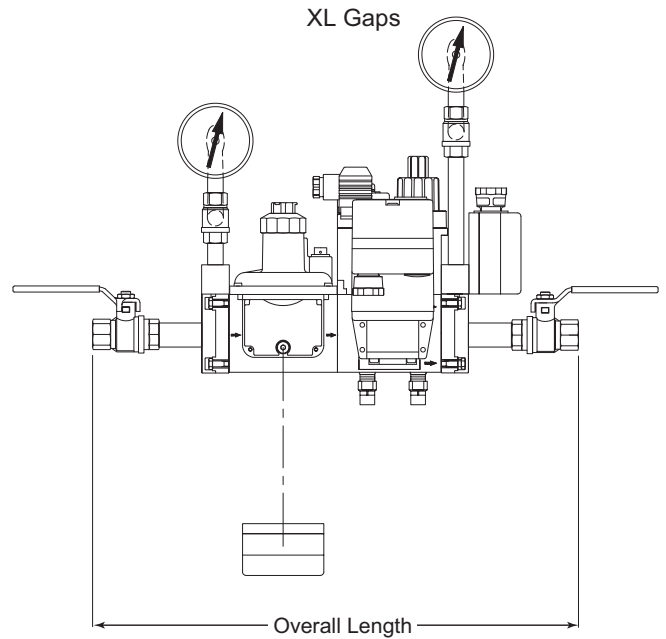


### Dungs Dual Modular Shut Off Valve

NFPA

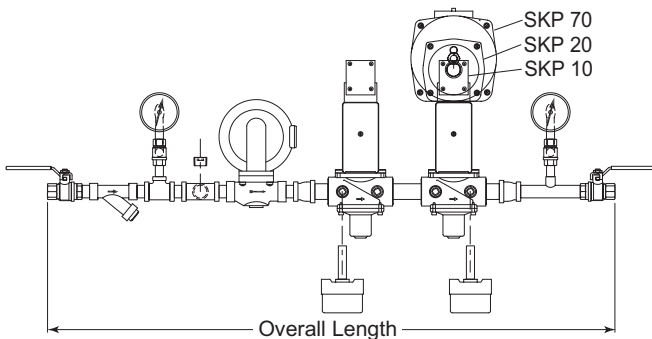


XL Gaps

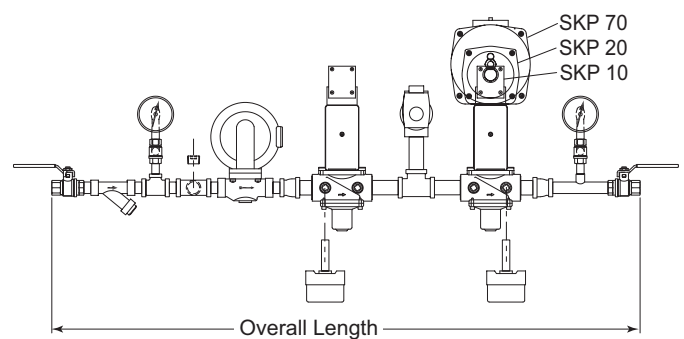


### Siemens Shut Off Valves

NFPA



XL Gaps



When using the Siemens SKP20 and SKP70 actuators for pressure regulating and ratio regulating functions, the sensing piping is not included. For proper operation, the sensing pipe should be at least 1/4" I.D. and connected a minimum of 5 pipe diameters downstream in a non-turbulent area.

**WARNING:** For proper and safe operation, the installer must read and thoroughly understand the Siemens Technical Instructions 155-514P25 for the SKP20 and 155-516P25 for the SKP70.

### Dimensions & Specifications (continued)

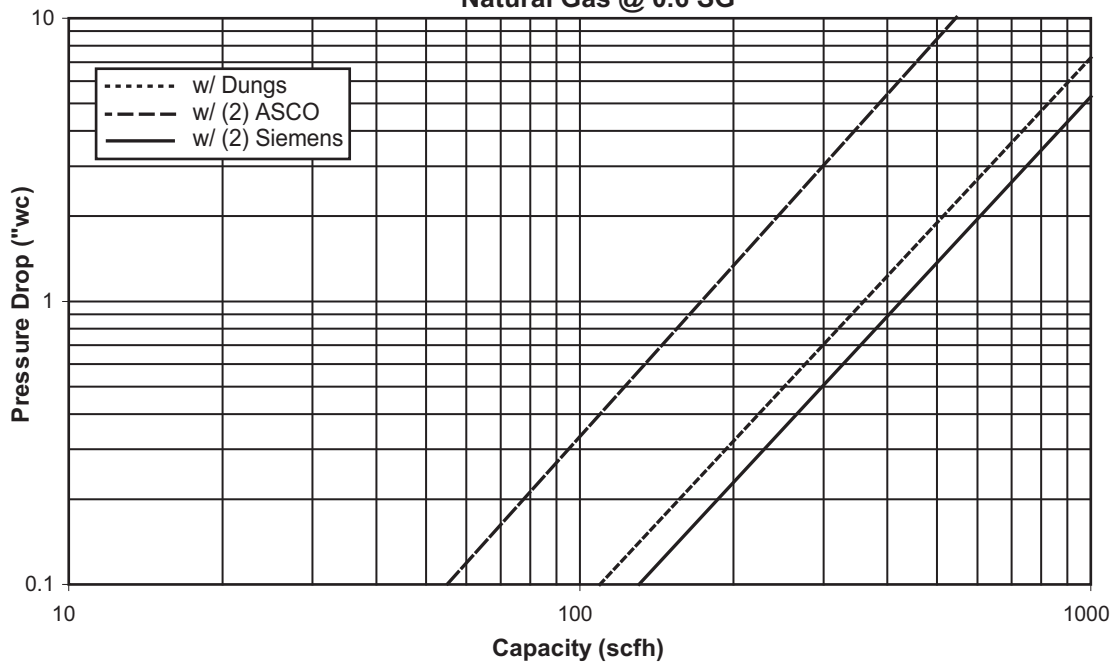
1/2" NPT Valve Train Arrangements	Overall Length		$\Delta p$ ("w.c.) through (2) Safety Shut-off Valves @ 300 scfh	Enclosure Rating (NEMA)	Temperature Range °F	SSOV Maximum Operating Pressure (PSI)**
	Minimum	Maximum				
ASCO NFPA	934 mm (36.8")	1064 mm (41.9")	3.0	1	-20 to 125	5
ASCO XL Gaps w/ Vent Valve	1048 mm (41.3")	1178 mm (46.4")	3.0	1	-20 to 125	5
Dungs Dual NFPA	405 mm (15.9")	455 mm (17.9")	0.71	12	5 to 140	7
Dungs Dual XL Gaps	405 mm (15.9")	455 mm (17.9")	0.71	1	5 to 140	7
Siemens NFPA	902 mm (35.5")	1032 mm (40.6")	0.5	12	15 to 140	7
Siemens XL Gaps w/ Vent Valve	1017 mm (40.0")	1147 mm (45.2")	0.5	12	15 to 140	5

\* ASCO XL Gaps with valve proving system differs with a temperature range of 15 to 125°F, and a shorter overall length.

\*\* Depending on components selected, pressure switches, etc.

### Capacities

**Valve Train Flow vs. Pressure Drop  
Natural Gas @ 0.6 SG**





**Offered By:**

Power Equipment Company  
2011 Williamsburg Road  
Richmond, Virginia 23231  
Phone (804) 236-3800  
Fax (804) 236-3882

---

[www.peconet.com](http://www.peconet.com)